



## Ferrari Fan Technology (UK) Limited

PO Box 265, Herne Bay

Kent CT6 9AZ, UK

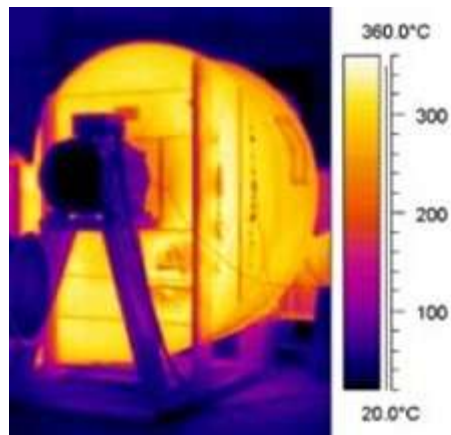
Tel: +44 (0)845 634 2174 Fax: +44 (0)845 534 2175

[www.ferrarifantechnologyuk.co.uk](http://www.ferrarifantechnologyuk.co.uk)

email: [sales@ferrarifantechnologyuk.co.uk](mailto:sales@ferrarifantechnologyuk.co.uk)

# Smoke Extract Fans

## Direct Drive Centrifugal fans for large air volumes and medium to high pressure requirements



- EN1201-3 certified rating 'F400' 400<sup>0</sup>C for 2 hours
- Dual purpose, for normal air ventilation and smoke extract in case of fire
- 315 to 1400mm diameter impeller sizes
- Available with range of accessories
- High quality manufacture, trouble free running
- Speed controllable with inverter drive

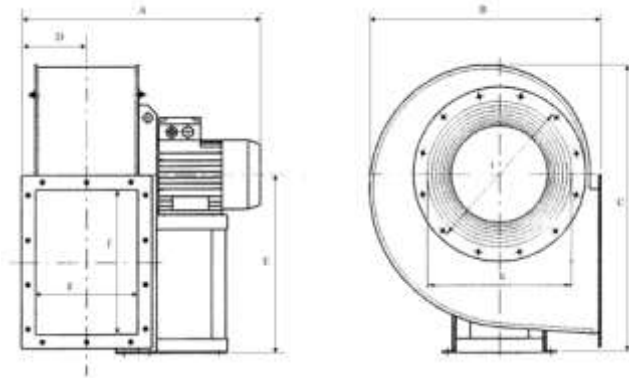
# Smoke Extract fans - centrifugal

## Air flow capacity and pressure table

Model	Motor size kW/poles	fan speed rpm	volume flow rate (m <sup>3</sup> /s) against pressure (Pa)								Noise dB@1.5m	
			0.95	1.5	3	5.3	7.5	10.6	15	30		
FR311/2N4A3	2.2/2	2830	119	70								78
FR351/2N4A3	3.0/2	2880	183	154								82
FR402/2N4A3	4.0/2	2890		206								84
FR401/2N4A3	5.0/2	2930		220	120							85
FR452/2N4A3	7.5/2	2910		276	228							86
FR451/2N4A3	11.0/2	2945		300	240							88
FR451/4N4A3	1.1/4	1420	66	54								67
FR502/4N4A3	1.5/4	1400		75								66
FR501/4N4A3	2.2/4	1420		83	41							71
FR562/4N4A3	3.0/4	1410		101	78							71
FR561/4N4A3	4.0/4	1430		113	88							74
FR632/4N4A3	5.5/4	1460			124	48						75
FR631/4N4A3	7.5/4	1460			146	104						78
FR712/4N4A3	11.0/4	1460			176	159	87					79
FR711/4N4A3	15.0/4	1450			198	173	131					82
FR802/4N4A3	18.5/4	1470				212	192	108				82
FR8014/N4A3	22.0/4	1470				224	204	162				85
FR902/4N4A3	37.0/4	1465					287	265	180			85
FR901/4N4A3	45.0/4	1470					316	290	224			88
FR562/6N4A3	0.75/6	900	44	39								59
FR561/6N4A3	1.1/6	910	46	43								62
FR632/6N4A3	1.5/6	930		57	39							65
FR631/6N4A3	2.2/6	920		62	48							68
FR712/6N4A3	3.0/6	930			68							69
FR711/6N4A3	4.0/6	930			75	48						72
FR802/6N4A3	5.5/6	940			94	79						72
FR801/6N4A3	7.5/6	965			104	88	63					75
FR902/6N4A3	11.0/6	970				116	101					75
FR901/6N4A3	15.0/6	960				127	112	84				78
FR1002/6N4A3	18.5/6	970				150	144	124				79
FR1001/6N4A3	22.0/6	970					156	137	95			82
FR1122/6N4A3	30.0/6	960					190	184	157			82
FR1121/6N4A3	37.0/6	970					216	203	177			85
FR1252/6N4A3	55.0/6	980						242	229			85
FR1251/6N4A3	75.0/6	985						270	253	154		88
FR1402/6N4A3	90.0/6	980							306	250		89
FR1401/6N4A3	110.0/6	985							354	276		92

# Smoke Extract fans - centrifugal

## Fan Dimension table



Fan ordering example:-  
**FR401/N12 RD270**

Item	Model	dimensions in mm									Weight kg
		A	B	C	D	E	f	g	h	l	
1	FR31X/XN4A3	550	525	660	116	400	322	229	320	366	51
2	FR35X/XN4A3	610	596	745	129	450	361	256	360	405	79
3	FR40X/XN4A3	735	660	830	146	500	404	288	405	448	106
4	FR45X/XN4A3	860	745	930	162	560	453	322	455	497	158
5	FR50X/XN4A3	900	830	1010	182	600	507	361	505	551	195
6	FR56X/XN4A3	810	925	1125	207	670	569	404	566	629	135
7	FR63X/XN4A3	915	1040	1265	232	750	638	453	636	698	197
8	FR71X/XN4A3	1065	1165	1415	258	850	715	507	716	775	324
9	FR80X/XN4A3	1230	1300	1580	290	950	801	569	806	861	416
10	FR90X/XN4A3	1390	1460	1765	321	1060	898	638	906	958	648
11	FR100X/XN4A3	1700	1645	1975	361	1180	1007	715	1007	1067	940
12	FR112X/XN4A3	1840	1855	2215	402	1320	1130	801	1128	1200	1210
13	FR125X/XN4A3	1895	2080	2505	451	1500	1267	898	1250	1337	1594
14	FR140X/XN4A3	2005	2315	2815	506	1700	1421	1007	1420	1491	2092

Please be aware dimensions are provided for guidance only, the factory reserve the right to amend dimensions without notice

## Fan handing arrangements (viewed from drive side)

